

Wet/Dry Vacuums
Cyclonic Filtration

Justo



IPC Eagle



Wet/Dry Vacuums
Cyclonic Filtration

Justo

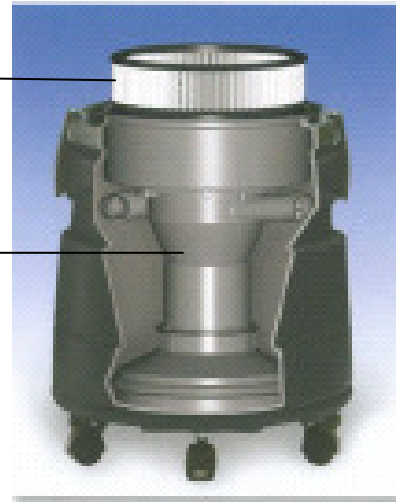
- Rugged construction, dent, crack, chemical resistant tank made of polyethylene
- 8 piece tool kit standard
- Unique cyclone design eliminates the need for bags when recovering non-hazardous material
- Optional Hepa Cartridge Filter and disposable bags, filters down to 0.3 micron
- Auto start feature, when power tool is plugged into receptacle on the head the vacuum will start when the tool is started. Automatically shuts off when tool trigger is released
- Tank design distributes weight evenly to prevent tip overs
- Quiet, only 70 dB

Auto Start Power
Receptacle



Standard Polyester
cartridge filter,
HEPA filter avail-
able

Internal Cyclone
captures fine dust



Tank Size	Motor	Waterlift	Air Volume	Weight	Cord Length
12 gal	1500 watt	126 "	85 cfm	25 lbs	35 '

Warranty, 1 year parts and labor



IPC Eagle

2955 Lone Oak Drive • Eagan, MN 55121
651.686.5399 • Fax 651.686.5695
www.ipceagle.com

IPC Eagle Corporation Sales and Service Provided by: